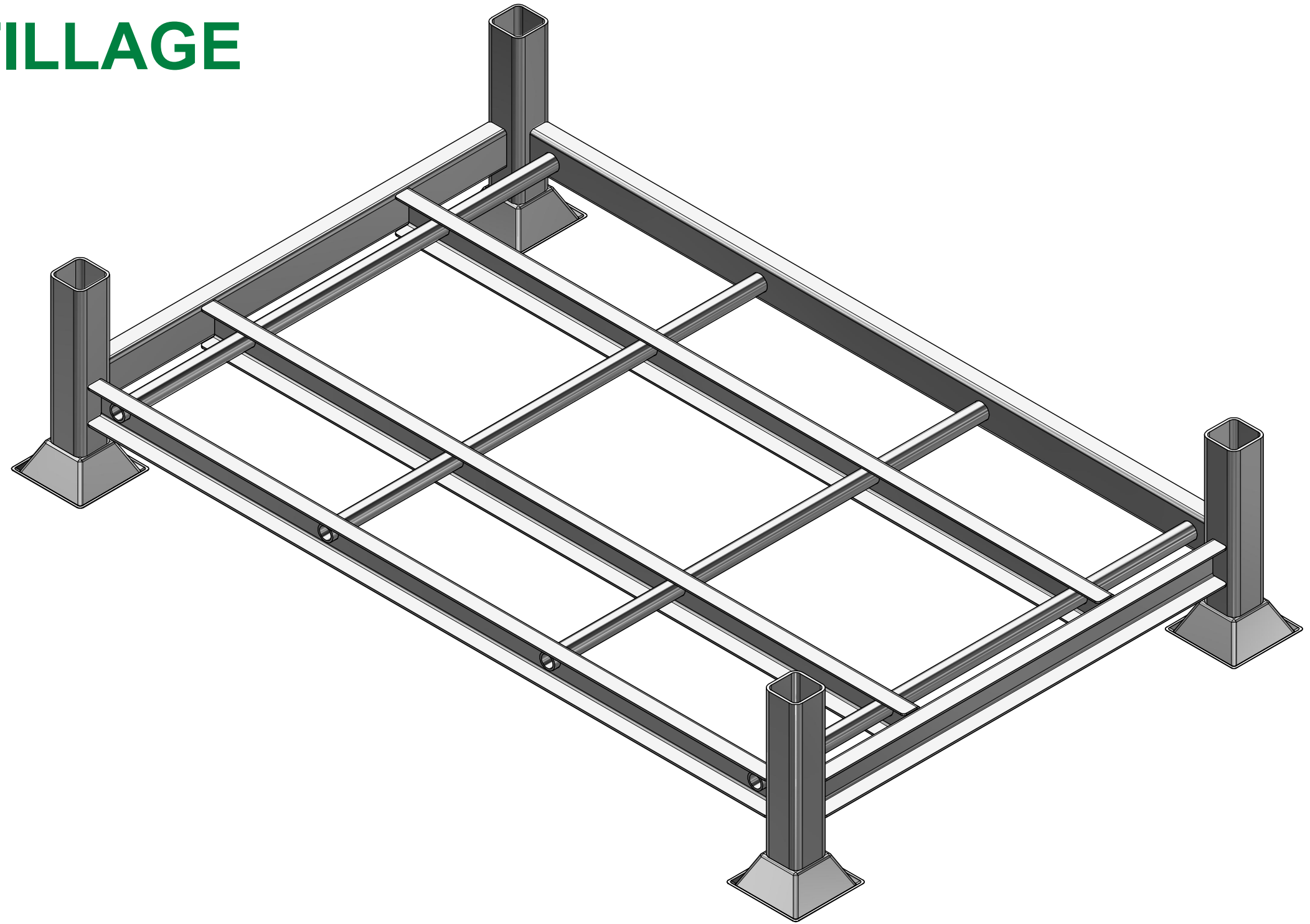


ALL PARTS TO BE WELDED ALL ROUND IF NOT OTHERWISE SPECIFIED
 ALL NOT DIMENSIONED WELDINGS TO BE WITH a = 3mm
 TO BE FREE OF SHARP EDGES UNLESS OTHERWISE SPECIFIED
IF IN DOUBT ASK! DO NOT SCALE DRAWINGS

W_135_85_31 - EURO PALLET STILLAGE



		DRAWING NUMBER: W_135_85_31		Bluestar - Euro Pallet Stillage	
		PAPER SIZE A3		Title Page	
TOLERANCES - WHOLE NUMBERS:- +/- 3 mm - ONE PLACE DECIMALS:- +/- 1mm - TWO PLACE DECIMALS:- +/- 0.5mm - ANGLES:- +/- 1° - SQUARENESS:- +/- 3mm		THIRD ANGLE PROJECTION 		ALL DIMENSIONS ARE MM, UNLESS OTHERWISE SPECIFIED	
MATERIAL SPEC - MS HOLLOW SECTION:- S235 - MS FLAT & SHEETS:- S275 - MESH:- 50x50 10G - EXP MESH:- 2074F 10G		INITIALS J.Latham		DATE 06/11/2024	
TOTAL WEIGHT: 31.592 kg		REVISION A1		DRAWN BY J.Latham	
PAGE 1 OF 15		APPROVED BY _____		CHECKED BY _____	
TEMPLATE VERSION BSP_V09		CREATION DATE 29/10/2024		Working Drawing	